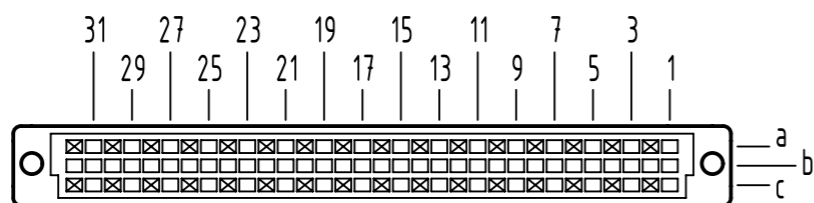


A
contact arrangement



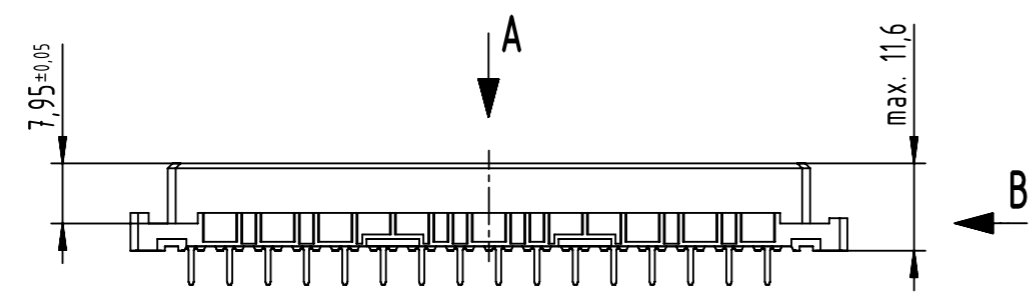
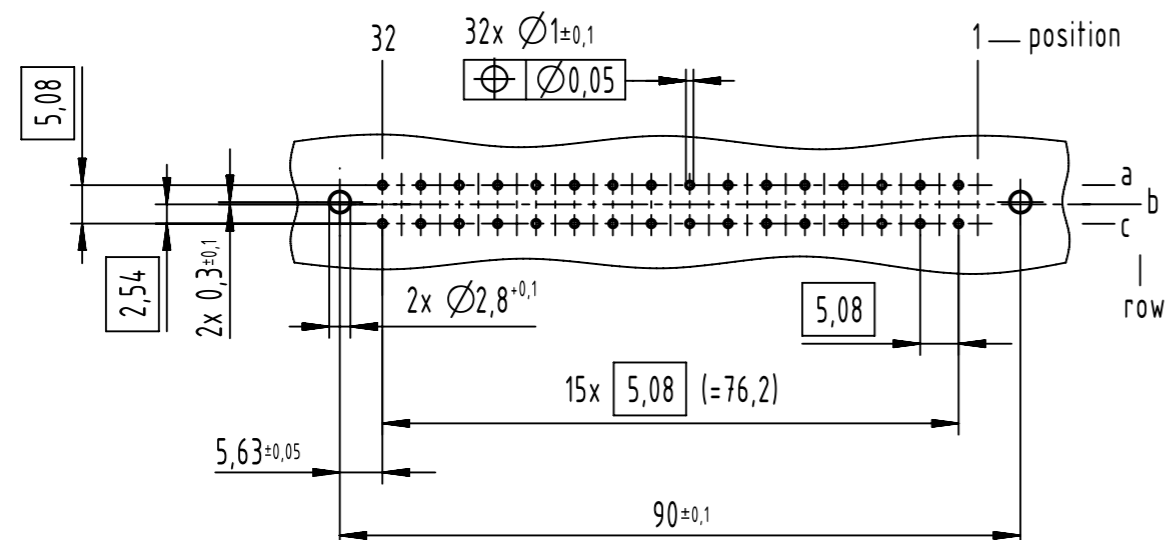
32 solder contacts

☒ = solder contact

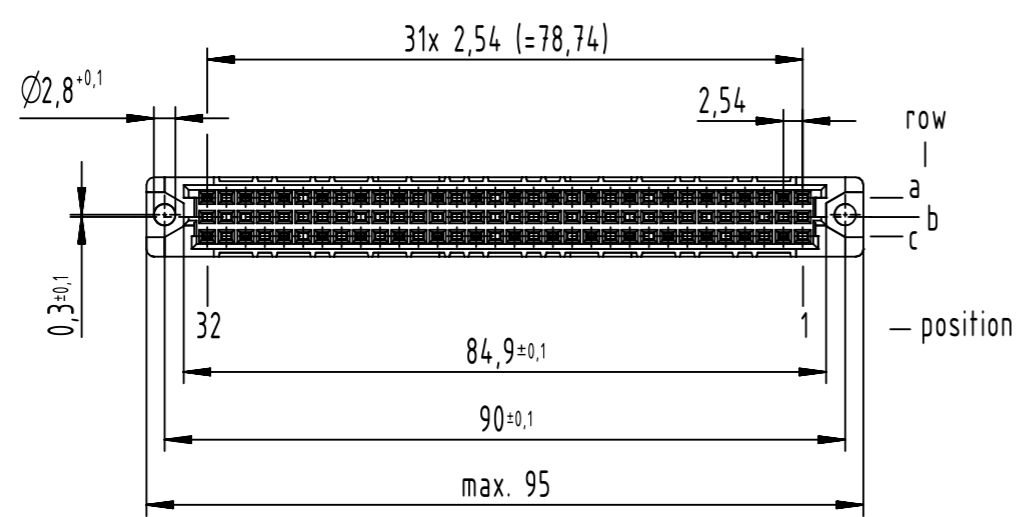
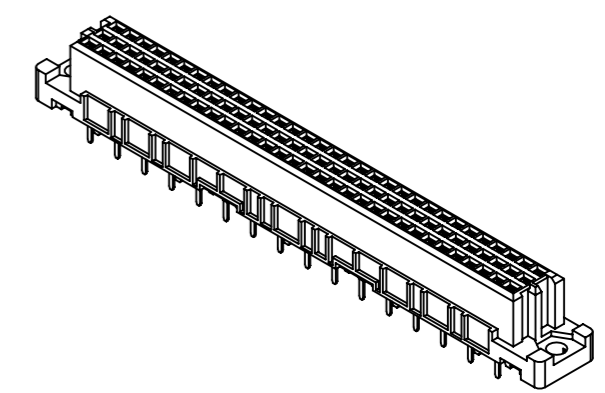
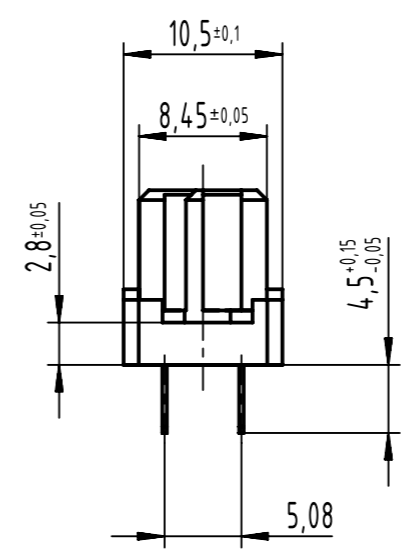
■ = kinked solder contact

□ = position without contact

A
board drillings



B (2:1)



09 03 232 7825	3
09 03 232 6825	2
09 03 232 2825	1
part no.	performance level

further information see product data sheet

	All Dimensions in mm Original Size DIN A3	Scale 1:1	Free size tol. IEC 60603-2	Ref. Sub. TB 09 03 232 x825 / Mod. 36400 / 24.06.2011	
	All rights reserved Department EL PD	Created by STORCK	Inspected by LEHNERT	Standardisation 302077	Date 2021-03-12
Title DIN Signal type C female solder 4.5 32-pole		Type TB		State Final Release	
HARTING D-32339 Espelkamp		Number 0903232X825		Doc-Key / ECM-Nr. 100173852/UGD/028/G 500000190783	Page 1/1