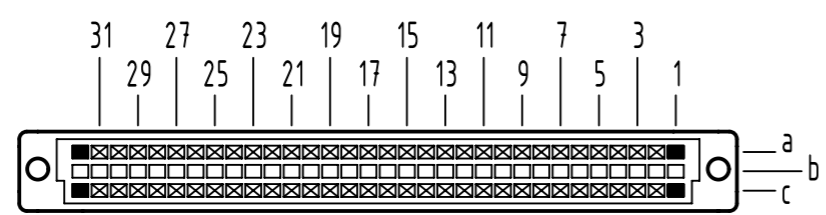


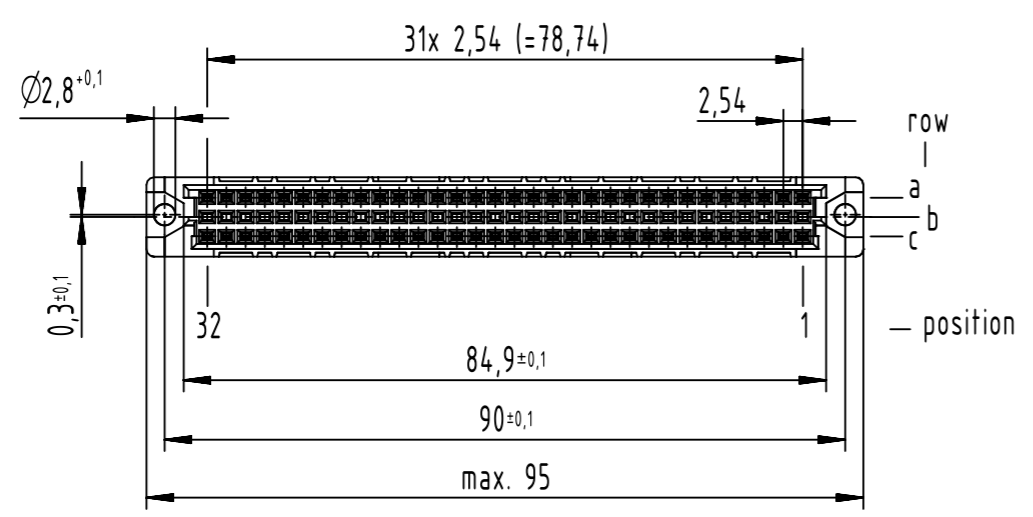
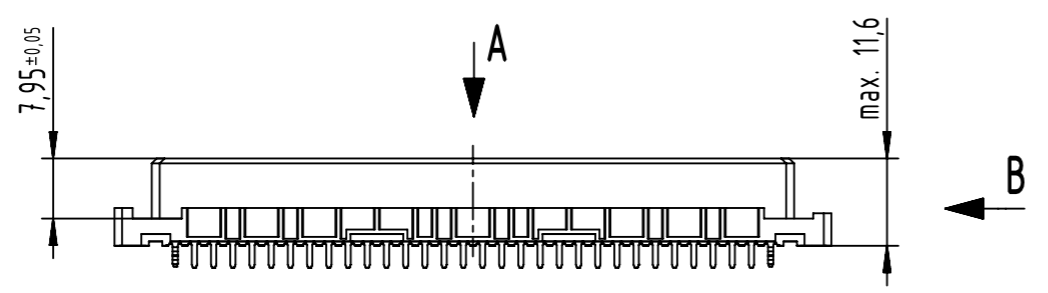
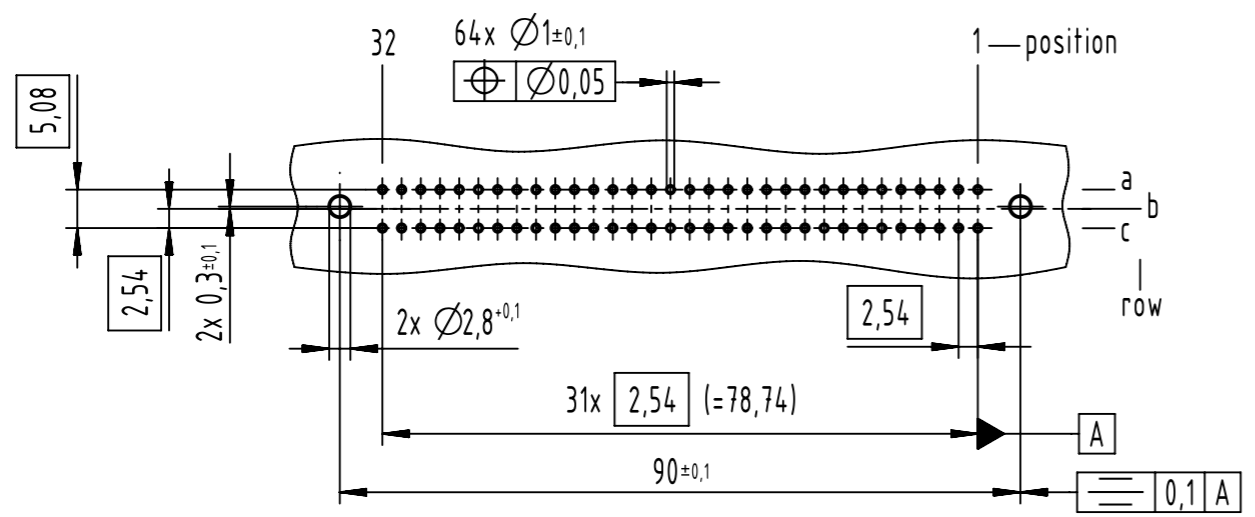
A
contact arrangement



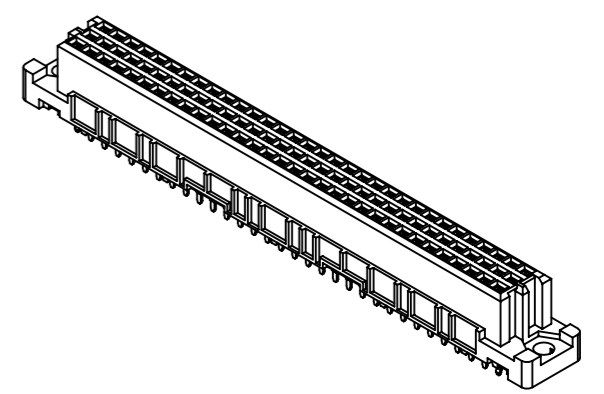
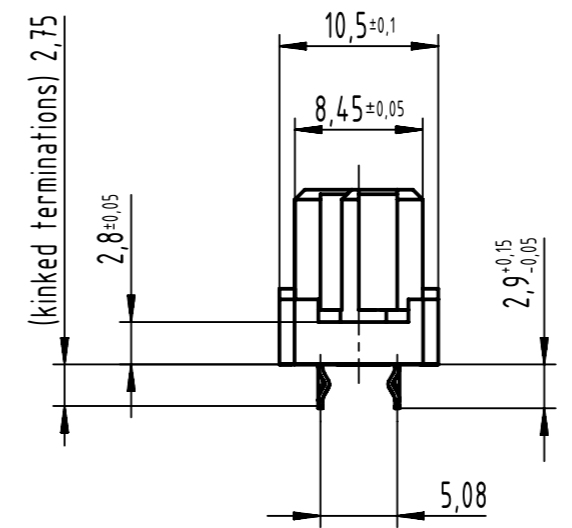
60 solder-contacts
4 kinked solder-contacts

- ⊗ = solder-contact
- = kinked solder-contact
- = position without contact

A
board drillings



B (2:1)



09 03 264 7855	3
09 03 264 6855	2
part no.	performance level

further information see product data sheet

	All Dimensions in mm Original Size DIN A3	Scale 1:1	Free size tol. IEC 60603-2	Ref. Sub. TB 09 03264 x855 / Mod. 36400 / 04.07.2011	
	All rights reserved Department EL PD	Created by STORCK	Inspected by LEHNERT	Standardisation 302077	Date 2021-03-12
Title DIN Signal type C female solder kinked 2.9 64-pole		Type TB		Number 0903264X855	
HARTING D-32339 Espelkamp		Doc-Key / ECM-Nr. 100173852/UGD/117/G 500000190255		Rev. G	Page 1/1