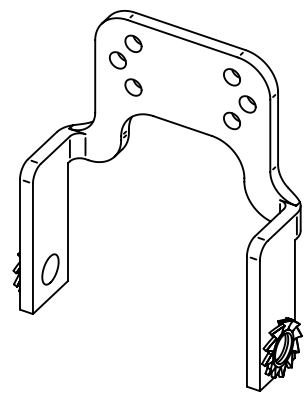
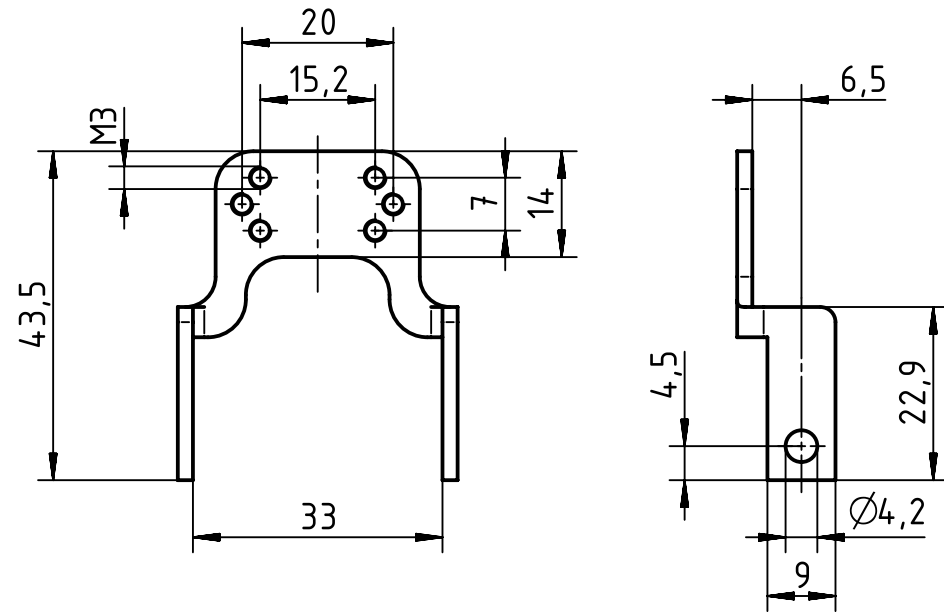


A

B

C

D




fits for Han 6E, 10EE and 24DD inserts
for combination with Han 6B housings and hoods, high construction

range of delivery: lever with M4 screws and washer to mount on the insert

material: steel, zinc-plated

pinhole image for cable clamp TB 09 00 0005341 and TB 09 00 000 5342

	All rights reserved Department EL PD	All Dimensions in mm Original Size DIN A4		Scale 1:1	Free size tol.		Ref. Sub.	
		HARTING Electric GmbH & Co. KG D-32339 Espelkamp		Created by RULLKOETTER	Inspected by BERGHORN	Standardisation TIEMANNA	Date 2014-12-01	State Final Release
Title Schirmbügel Han 6B							Doc-Key / ECM-Nr. 100132391/UGD/003/A 500000082497	
			Type TB	Number 09 00 000 5206			Rev. A	Page 1/1