

A
board drillings

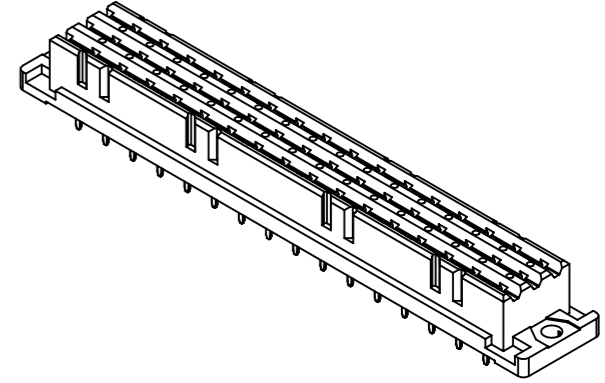
A
contact arrangement

32 solder contacts

☒ = position with contact

☐ = position without contact

B (2:1)



09 06 232 7894	3
09 06 232 6894	2
09 06 232 2894	1
part no.	performance level

further information see product data sheet

 HARTING D-32339 Espelkamp	All rights reserved Department EL PD	Created by STORCK	Inspected by LEHNERT	Standardisation 302077	Date 2021-05-14	State Final Release	Ref. Sub.
	Title DIN Power type F low-profile female solder 4.5 32-pole Type TB Number 0906232X894						Doc-Key / ECM-Nr. 100205271/UGD/016/C 500000194.417 Rev. C Page 1/1