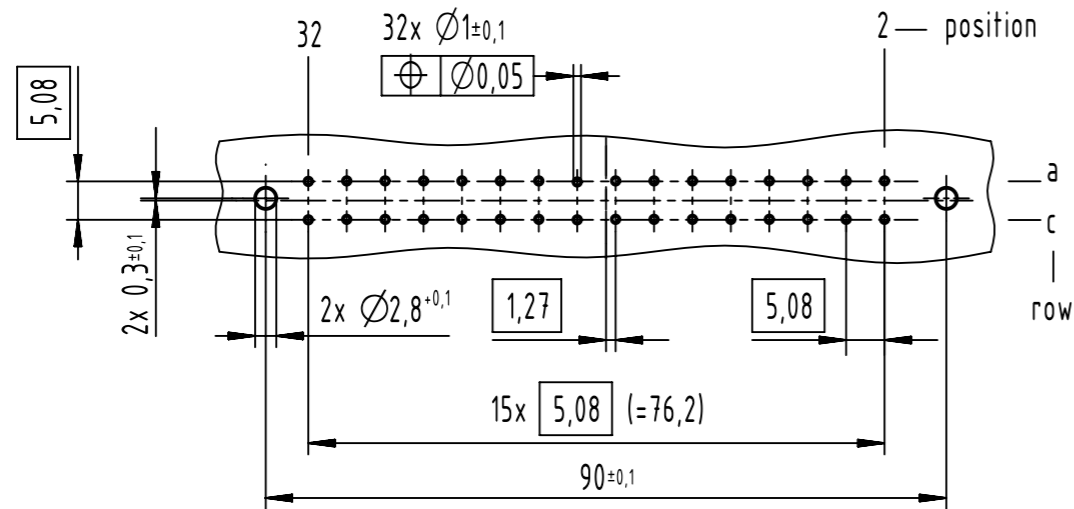
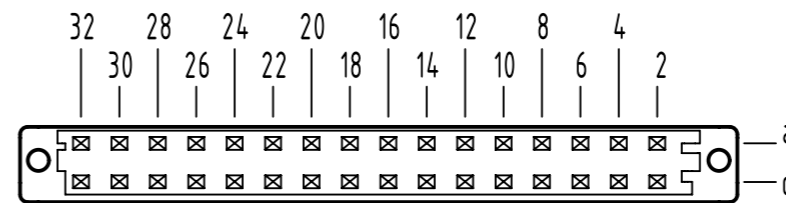


A  
board drillings



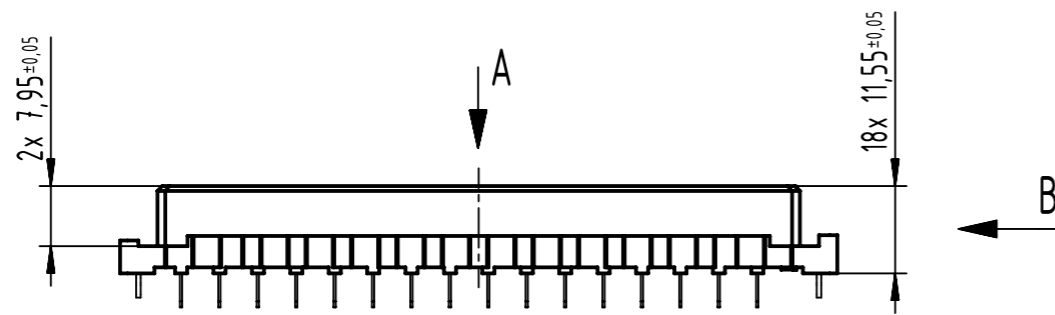
A  
contact arrangement



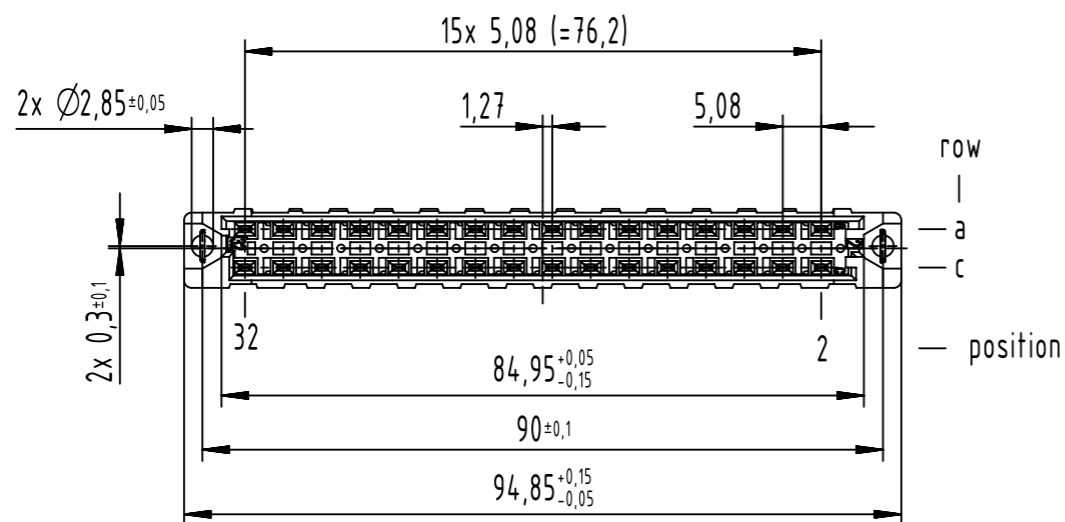
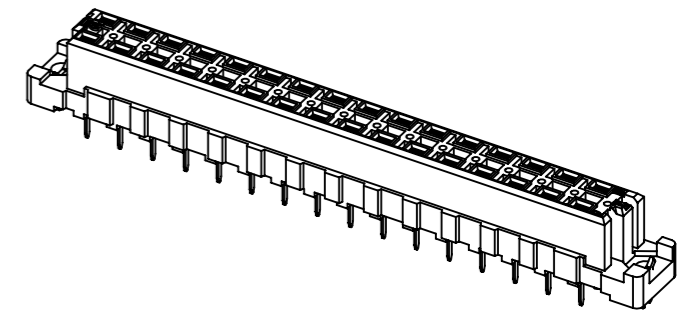
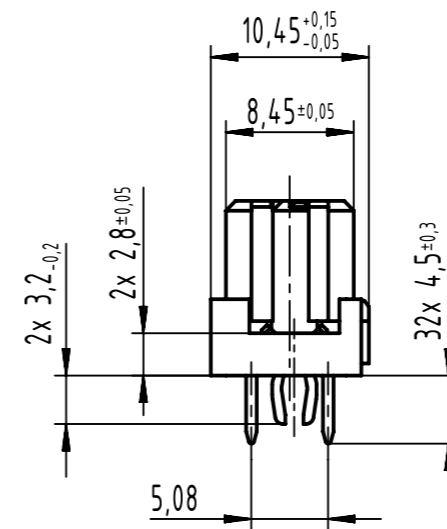
32 solder contacts

☒ = position with contact

□ = position without contact



B (2:1)



1 further information see: DS 09042100001

09 04 332 5831 015	Au30
09 04 332 6831	2
part no.	performance level 1

All Dimensions in mm Original Size DIN A3		Scale 1:1	Free size tol. IEC 60603-2	Ref. Sub.
All rights reserved Department EL PD		Created by STORCK	Inspected by LEHNERT	Standardisation 302077
HARTING Electronics GmbH D-32339 Espelkamp		Title DIN Power type D female solder 4.5 with clip 32-pole		Date 2020-10-19
		Type TB	Number 0904332X831	State Final Release
				Doc-Key / ECM-Nr. 100217573/UGD/019/D 500000181431
				Rev. D Page 1/1