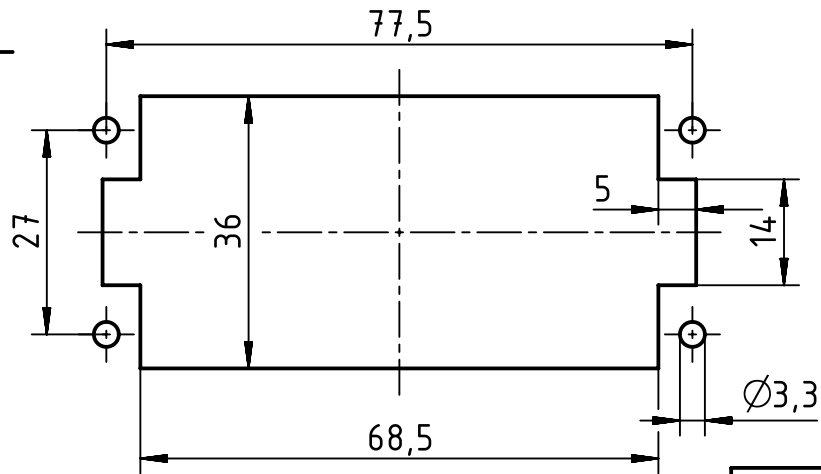
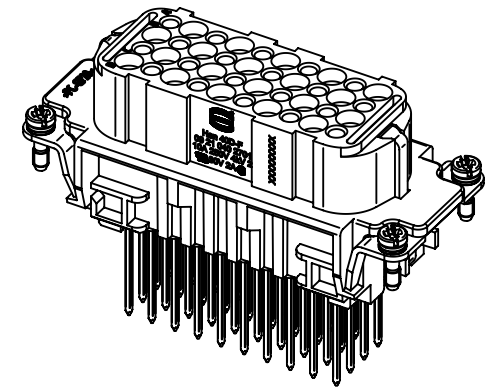


panel cut out



screen line distance between the contacts: 5,08 mm



	All Dimensions in mm Original Size DIN A4	Scale 1:1	Free size tol.		Ref.	
	All rights reserved Department EL PD	Created by LUPU	Inspected by PRIESTER	Standardisation RUETERA	Date 2019-01-16	State Final Release
HARTING Electric GmbH & Co. KG D-32339 Espelkamp	Title Han D 40 Pos. F Insert Wire Wrap			Doc-Key / ECM-Nr. 100087622/UGD/005/B 500000118542		
	Type TB	Number 09 21 040 2701			Rev. B	Page 1/1