

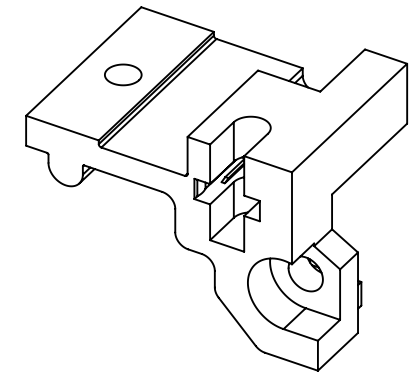
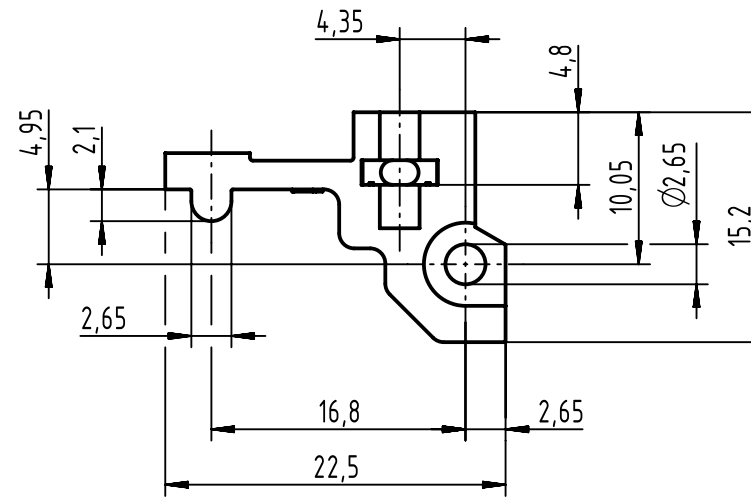
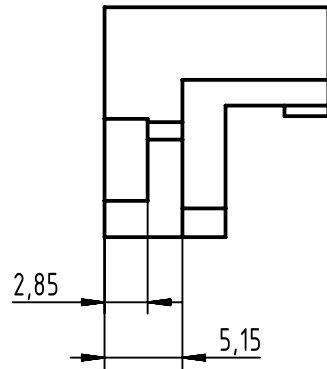
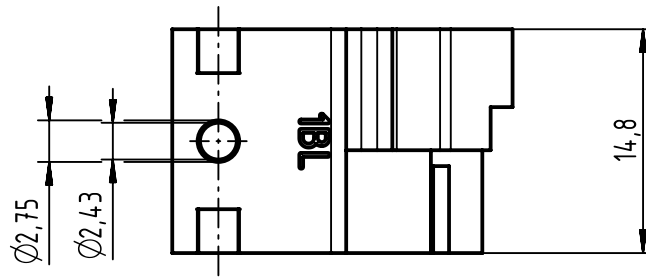
1 2 3 4 5 6


A

B

C

D



	All Dimensions in mm Original Size DIN A4	Scale 2:1		Free size tol.		Ref.		
		Created by KAHLERK		Inspected by ZWAHR		Standardisation HOFFMANN		Date 2017-03-17
All rights reserved Department EC PD - DE		Title fixing bracket BL 15mm				Doc-Key / ECM-Nr. 100106604 / UGD / 004 / B 500000116938		
HARTING Electronics GmbH D-32339 Espelkamp		Type TB	Number 09060009909			Rev. B	Page 1/1	